

Optidew Vision
Users Guide Supplement No. 1
Panel Mount Fitting

Introduction.

This guide is for the use of customers who wish to panel mount a standard Optidew Vision Optical Dewpointmeter into a standard 19" racking system. To do this properly, a Michell Instruments Ltd. panel mount kit Part No.9980504 is required.

Warning!

Before starting work, ensure that the mains lead is fully removed from the unit. Remove all connections to the instrument (including the sensor and temperature probe).

Dismantling

1. Remove the 4 screws holding the rear panel in place (FIG 1). The rear panel will now be loose and held by its cables. Take care not to damage the wires.
2. Remove the 2 front panel plastic clip retainers and remove the 4 screws holding the front panel (FIG 2). The display PCB should now be loose – allow it to drop forward and unplug connectors PL1, 2 & 3.
3. On the underside, remove the 4 pozi drive screws (the nearest to the side panels) to release the base plate (FIG 3).
4. Retain all the screws and plastic clips.
5. With the feet resting on a surface, carefully lift the case lid up, by its handle, from the base plate until some resistance is felt. Then slide the lid towards the front until some resistance is felt.
6. Feed the front panel through the bezel and remove the cover.
7. Remove the handle and its fixings from the case lid. Retain the screws.
8. Remove the case feet (1 screw each) and discard.
9. Fit the 2 small blocks to the inside of the case lid using the M3 x 10 long countersink head screws (x2) supplied. The screws should be fitted in the middle holes of the blocks. Ensure that the outer holes are in alignment with the respective holes in the case lid.
10. Re-assemble the instrument without the handle and feet. Ensure that the connectors PL1, PL2 & PL3 are re-connected correctly and that there are no trapped wires when assembling the cover (SEE FIG 4).
11. Fit the 2 panel mounting brackets to the panel using the M4 x 8 pozi countersink head screws (x4) supplied.
12. Slide the instrument through the panel aperture and screw the case to the mounting brackets using the M3 x 16 long pan head screws, M3 shakeproof and M3 plain washers (x4 of each) supplied.

13. Hold the instrument with its bezel tight against the panel. Slide the 2 brackets up against the rear of the panel and tighten all the screws.
14. Fit the completed panel into the required rack using the M6 x 16 long pan head screws, M6 plastic washers and M4 cage nuts (x4 of each) supplied.

FIG 1

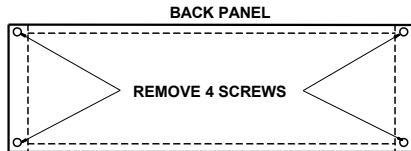


FIG 2

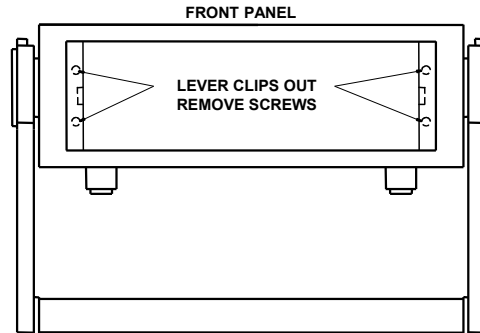


FIG 3

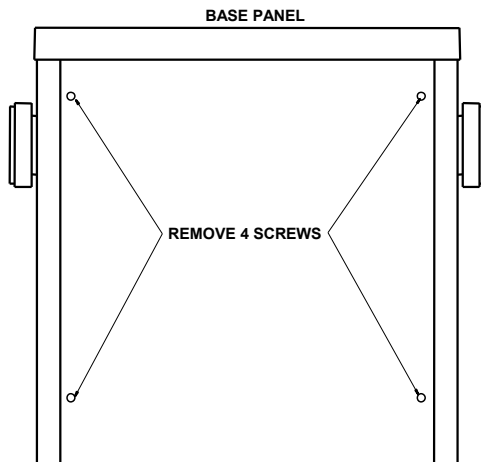


FIG 4

